

BrewWISE® Dual ThermoFresh® DBC Brewer

ITEM#

PROJECT

DATE

Features



BrewWISE® Brewing System with ThermoFresh® Servers

- Brews 16.3 to 18.9 gallons (61.7 to 71.5 litres) of perfect coffee per hour.
- Stores individual coffee recipes so operator can easily brew many varieties.
- Coffee extraction controlled with pre-infusion and pulse brew, digital temperature control, and large sprayhead; coffee strength controlled with variable by-pass.
- Easy Pulse interface allows automatic programming of pulse routine.
- Operate any combination of BrewWISE® equipment error-free with wireless brewer-grinder interface through the Smart Funnel®.
- SplashGard® funnel and optional funnel locks help improve safety.
- Black and stainless models available.
- ThermoFresh® servers are vacuum insulated to keep coffee hot and fresh for hours.
- Create coffee recipe cards with custom recipes, ad cards with messages that display on the brewer LCD, and dedicated funnels for special coffees with the BrewWISE Recipe Writer using your PC (Windows® compatible).

Model Dual TF DBC with 1.5 gallon TF Servers

(servers sold separately)

Dimensions: 35.7" H x 21.8" W x 20.2" D
(90.7cm H x 55.4cm W x 51.3cm D)



Stainless steel finish available.

For current specification sheets and other information, go to www.bunn.com.

Related Products

Easy Clear® EQHP-10
Product No. : 39000.0004



Easy Clear® EQHP-10L
Product No. : 39000.0001

Single/Dual Filter Pack
Product No. : 20138.0000
Packed per case: 500
Dimensions:

5¼" Base x 4¼" Sidewall
13.3 cm Base x 10.8 cm Sidewall



BrewWISE® Recipe Writer (BRW)

Product No.: 34444.0001
Dimensions:
2¾" H x 6¾" W x 9½" D
5.56 cm H x 16.2 cm W x 24.1 cm D



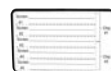
Recipe Card

Product No.: 34447.0000
• Program a recipe to be used on brewer or grinder.



Ad Card

Product No.: 34448.0000
• Program a message to appear on the brewer's display.



G9-2T DBC

Product No.: 33700.0000
• Grinder holds 6 pounds each of regular and decaf or specialty beans.



Model

Dual TF DBC

Agency Listing



Dimensions & Specifications

Model	Product #	Volts	Amps	Tank Heater Watts	Total Watts	Brewing Capacity	Cu. Ft.	Shipping Weight	Funnel Locks	Cord Attached
Dual TF DBC	34600.0000	120/240	27.5	2@3300	6600	18.9 gal/hr	14.6	92.5 lbs.	Yes	No
Dual TF DBC*	34600.0001	120/240	27.5	2@3300	6600	18.9 gal/hr	14.6	92.5 lbs.	Yes	No
Dual TF DBC	34600.0002	120/240	27.5	2@3300	6600	18.9 gal/hr	14.6	92.5 lbs.	No	No
Dual TF DBC*	34600.0003	120/240	27.5	2@3300	6600	18.9 gal/hr	14.6	92.5 lbs.	No	No
Dual TF DBC	34600.0004	120/208	27.4	2@2850	5700	16.3 gal/hr	14.6	92.5 lbs.	No	No
Dual TF DBC*	34600.0005	120/208	27.4	2@2850	5700	16.3 gal/hr	14.6	92.5 lbs.	No	No
Dual TF DBC	34600.0006	120/208	27.4	2@2850	5700	16.3 gal/hr	14.6	92.5 lbs.	Yes	No
Dual TF DBC*	34600.0007	120/208	27.4	2@2850	5700	16.3 gal/hr	14.6	92.5 lbs.	Yes	No
G9-2T DBC	33700.0000	120	9.4	n/a	n/a	n/a	5.9	67 lbs.	n/a	No
G9-2T DBC*	33700.0001	120	9.4	n/a	n/a	n/a	5.9	67 lbs.	n/a	No
TF Server	34850.0000	n/a	n/a	n/a	n/a	1.5 gallons	2.8	13.8 lbs.	n/a	No
TF Server*	34850.0001	n/a	n/a	n/a	n/a	1.5 gallons	2.8	13.8 lbs.	n/a	No

* Models have black decor.

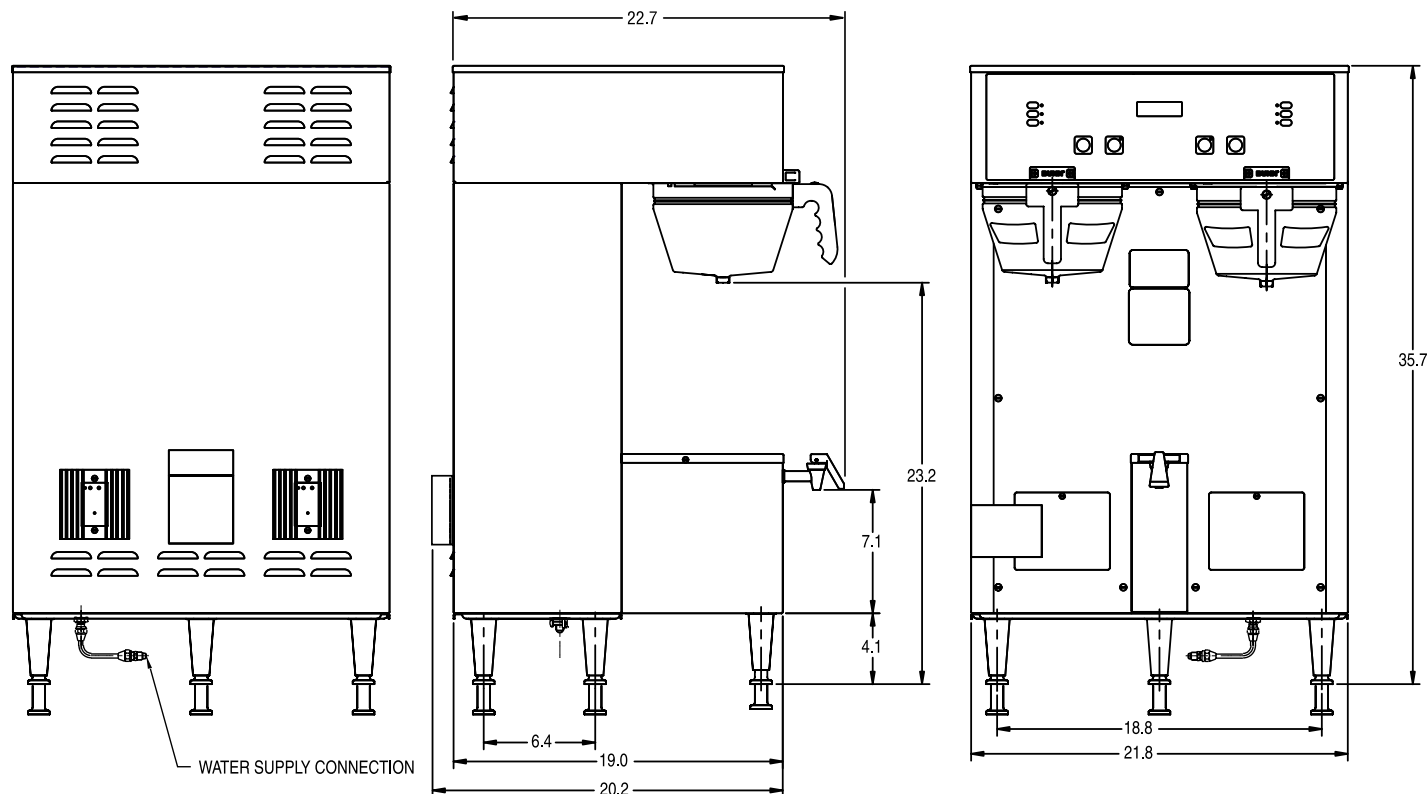
Brewing capacity: based upon incoming water temp of 60°F (140°F rise).

Models listed as 120/208V or 120/240V must be connected to 208V or 240V electrical service respectively. Please refer to the installation manual.

Electrical: Brewer is 3-wires plus ground service rated 120/208V or 120/240V, single phase, 60Hz.

Grinder is 2-wires plus ground service rated 120V, 60Hz, circuit required, ³/₄ HP motor.

Plumbing: 20-90 psi (138-621 kPa). Machine supplied with ³/₈" male fitting.



Bunn-O-Matic® Corporation - 1400 Stevenson Drive Springfield, Illinois 62703 • 800-637-8606 • 217-529-6601 • Fax 217-529-6644 • www.bunn.com

BUNN® practices continuous product research and improvement. We reserve the right to change specifications and product design without notice. Such revisions do not entitle the buyer to corresponding changes, improvements, additions or replacements for previously purchased equipment.

All dimensions shown in inches. Bunn-O-Matic Corporation owns all copyrights relating to materials in this publication. Please contact BUNN to request permission to reproduce any portion of this publication.