

1 Gallon Automatic Coffee Brewer with Portable Server

ITEM# _____

PROJECT _____

DATE _____



Model Single CWTF with 1.5 GPR

Dimensions: 26.1"H x 8.5"W x 18.9"D
(66.3cm H x 21.6cm W x 48cm D)

Features

One Gallon Automatic Coffee Brewer

- Brews 3.8 to 9 gallons (14.4 to 34.1 litres) of perfect coffee per hour.
- 1/2 gallon and 1 gallon (1.9 and 3.8 litre) batches brewed into 1.5 GPR portable server (server included).
- Gourmet funnel allows use of heavier throw weights of coffee.
- Hot water faucet and 1/2 gallon (1.9 litre) pourover backup on all models.
- SplashGard® funnel deflects hot liquids away from the hand.
- All stainless steel construction.
- 1/2 gallon (1.9 litre) pourover backup.

For current specification sheets and other information, go to www.bunn.com.

Related Products

Easy Clear® EQ-17-TL

Product No. : 30200.1000

Dimensions:

12⁷/₁₆" H x 2¹/₂" W x 3" D
31.6 cm H x 6.35 cm W x 7.62 cm D



Easy Clear® ED-17-TL

Product No. : 30201.1001

Dimensions: 8¹/₄" H x 2⁵/₁₆" Dia.
20.95 cm H x 5.87 cm Dia.

Single/Dual Filter Pack

Product No. : 20100.0000

Packed per case: 500

Dimensions: 5¹/₄" Base x 3³/₄" Sidewall
13.3 cm Base x 9.5 cm Sidewall



1.5 GPR SS Portable Server on an RWS1 Warmer

1GPR Product No. : 20950.0004

RWS1 Product No. : 12203.0010
(120V)

**Also available with side handles or black decor.*



RWS1A Product No. : 12203.0011
(230V)

Model	Agency Listing	International Model	Agency Listing
Single CWTF15	UL NSF	No International model	
Single CWTF35	UL NSF		

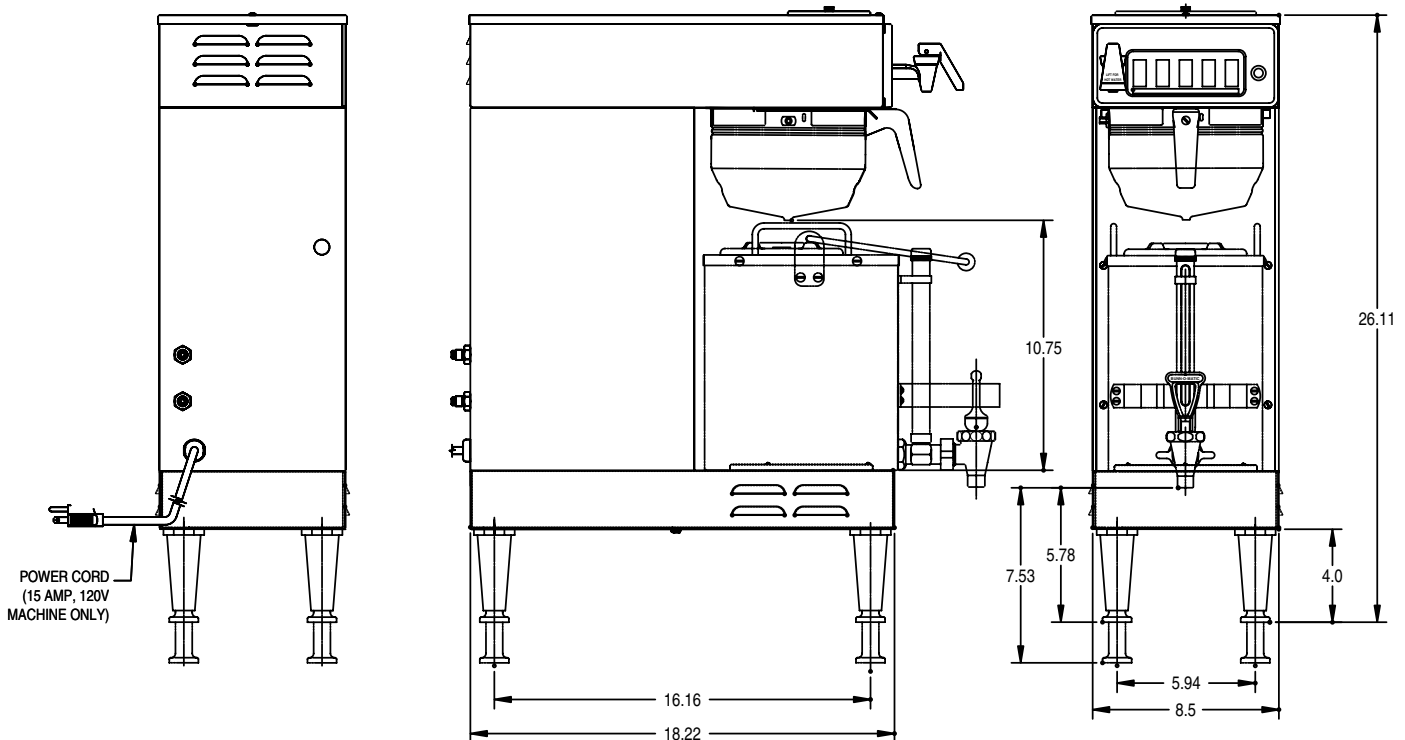
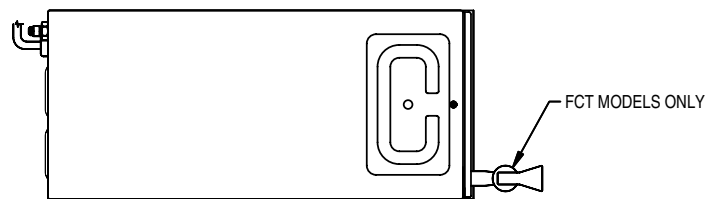
Dimensions & Specifications

Model	Product #	Volts	Amps	Tank Heater Watts	Total Watts	Brewing Capacity	Cu. Ft.	Shipping Weight	Cord Attached
Single CWTF15	35000.0004	120	13.8	1500	1650	3.8 gal/hr	6.0	46.5 lb.	Yes
Single CWTF35	35000.0006	120/208-240	15.8	3500	3650	7.5/9.0 gal/hr	6.0	46.5 lb.	No

Brewing capacity: based upon incoming water temp of 60°F (140°F rise) per 1/2 gallon brew time of 4 minutes.

Electrical: 120 volt model requires 2-wires plus ground service rated 120V, single phase.
240 volt model requires 3-wires plus ground service rated 120/208 or 120/240V, single phase, 60 Hz.

Plumbing: 20-90 psi (138-621 kPa). Machine supplied with 1/4" male flare fitting.



BUNN Corporation - 1400 Stevenson Drive Springfield, Illinois 62703 • 800-637-8606 • 217-529-6601 • Fax 217-529-6644 • www.bunn.com

BUNN® practices continuous product research and improvement. We reserve the right to change specifications and product design without notice. Such revisions do not entitle the buyer to corresponding changes, improvements, additions or replacements for previously purchased equipment.

All dimensions shown in inches. Bunn Corporation owns all copyrights relating to materials in this publication. Please contact Bunn Corporation to request permission to reproduce any portion of this publication.