

12 Cup Digital Dual-Voltage Coffee Brewers with LCD

Features

Automatic AXIOM™ Coffee Brewers

- Large 200 oz. (5.9 litres) tank provides back-to-back brewing capacity.
- Dual voltage adaptable. Can operate at 120V/15 amp or 120/208-240V/20 amp.
- Adjusts automatically to varying water pressure.
- For high lime areas, BrewLOGIC™ technology calculates flow rate and adjusts brew time to maintain consistent pot levels.
- BrewWIZARD™ technology incorporates simplified programming with a LCD display.
- Digital temperature control and accuracy.
- Quicker install saves up to 30 minutes. Pot level, cold brew lock-out and tank temperature set easily from advanced touch pad on front of machine.
- Ensures coffee brew quality with cold brew lock out capability.
- Electronic diagnostics and built in tank drain make service easier.
- SplashGard® funnel deflects hot liquids away from the hand.
- Coffee extraction controlled with programmable pre-infusion or pulse brew and digital temperature control.
- Automatic warmer shut-off.



Model AXIOM-35-3

(decanters sold separately)

Dimensions: 16.8" H x 16.5" W x 17.7" D
(42.7cm H x 41.9cm W x 44.9cm D)



Model AXIOM-15-3

(decanters sold separately)

Dimensions: 18.9" H x 8.5" W x 17.8" D
(48cm H x 21.6cm W x 45.2cm D)

For current specification sheets and other information, go to www.bunn.com.

Related Products

Easy Clear® EQ-17-TL

Product No. : 30200.1000

Dimensions:

12⁷/₁₆" H x 2¹/₂" W x 3" D
31.6 cm H x 6.35 cm W x 7.62 cm D



Paper Filter Pack

Product No. : 20115.0000

Packed per case: 1,000

Dimensions: 4¹/₄" Base x 2³/₄" Sidewall
10.8 cm Base x 6.98 cm Sidewall



Easy Pour® ED-17-TL

Product No. : 30201.1001

Dimensions: 8¹/₄" H x 2⁵/₁₆" Dia.
20.95 cm H x 5.87 cm Dia.

Easy Pour® black decanter

Product No. : 06100.0101

Quantity: 1 (also packaged in quantities of 2, 3, 6, 12, & 24)



Easy Pour® orange decanter (for decaf)

Product No. : 06101.0101

Quantity: 1 (also packaged in quantities of 2, 3, 6, 12, & 24)



Model

AXIOM-DV-3

Agency Listing



Dimensions & Specifications

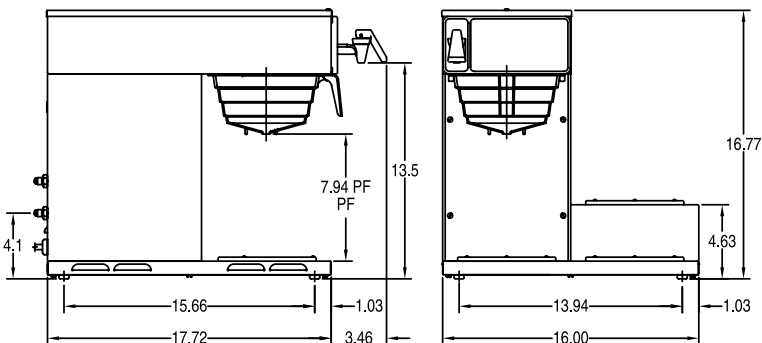
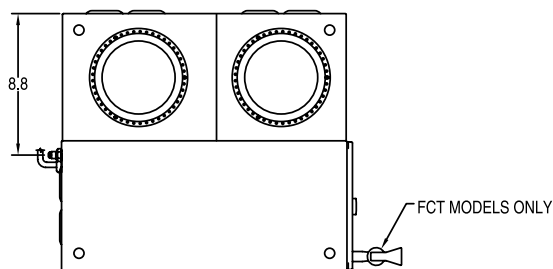
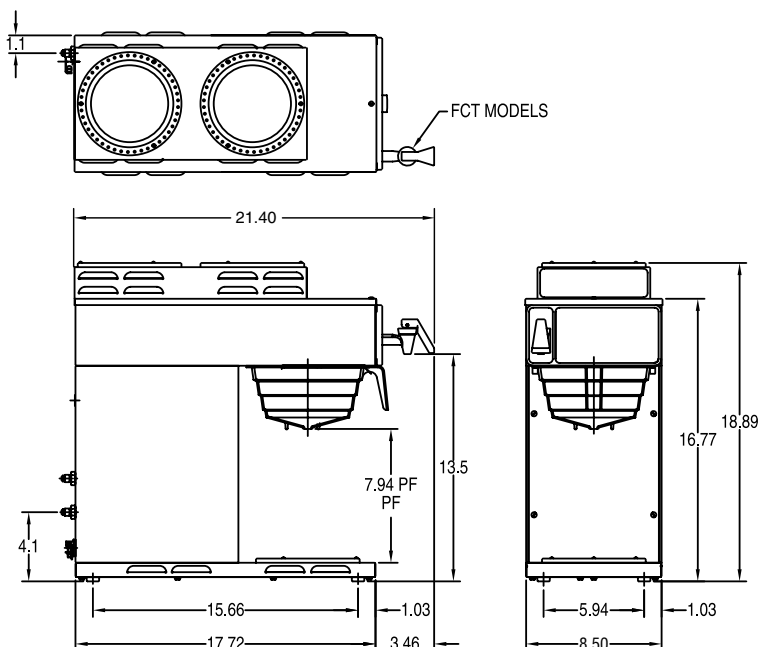
Model	Product #	Volts	Amps	Tank Heater Watts	Total Watts	Brewing Capacity	Cu. Ft.	Shipping Weight	Cord Attached
AXIOM-DV-3	38700.0008	120	15	1425	1800	4.5 gal./hr.	4.0	30 lbs.	Yes
1L/2U Warmers		120/208	15.6	2629	2980	7.5 gal./hr.			
		120/240	17.5	3501	3850	7.5 gal./hr.			
AXIOM-DV-3	38700.0009	120	15	1425	1800	4.5 gal./hr.	6.4	32 lbs.	Yes
3 Lower Warmers		120/208	15.6	2629	2980	7.5 gal./hr.			
		120/240	17.5	3501	3850	7.5 gal./hr.			

Brewing capacity: based upon incoming water temp of 60°F (140°F rise) per 1/2 gallon brew time of 4 minutes.

Electrical: 120 volt, 15 amp. models require 2-wires plus ground service rated 120V, single phase, 60 Hz. If wired for 120/208V or 120/240V, required 3 wires plus ground service rated 120/208V or 120/240V, single phase, 60Hz.

Plumbing: 20-90 psi (138-621 kPa). Machines supplied with 1/4" male flare fitting. Twin models supplied with 3/8" male flare fitting.

AXIOM
2-Upper/1 Lower Warmer



AXIOM
3-Lower Warmers

BUNN Corporation - 1400 Stevenson Drive Springfield, Illinois 62703 • 800-637-8606 • 217-529-6601 • Fax 217-529-6644 • www.bunn.com

BUNN® practices continuous product research and improvement. We reserve the right to change specifications and product design without notice. Such revisions do not entitle the buyer to corresponding changes, improvements, additions or replacements for previously purchased equipment.

All dimensions shown in inches. Bunn Corporation owns all copyrights relating to materials in this publication. Please contact Bunn Corporation to request permission to reproduce any portion of this publication.