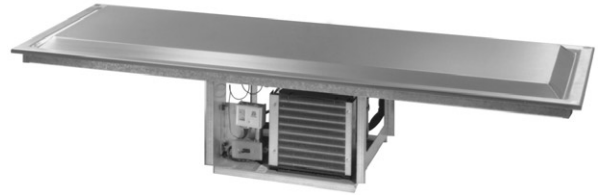


Drop-In Self-Contained Frost Top

Short Form Specifications

Top is one-piece, 18-gauge stainless steel. Top has a drain trough and 2" (5.1 cm) overhang around perimeter. Top is elevated 1.68" (2.5cm) above counter surface. Underside of frost top is sealed with refrigeration lines and insulated with high-density, closed-cell polyurethane. Exterior housing is 22-gauge galvanized steel.

Condensing unit is suspended below the frost top on a 16-gauge steel frame. Condensing unit uses HFC-404a refrigerant. Unit has an ON/OFF toggle switch, an 8' (2.4m) cord and NEMA 5-15 plug. Unit has (1) stainless steel louver provided for field installation; cutout dimensions are 12" x 23.5" (30.5cm x 59.7cm). A second opening at the rear of the cabinet is provided at installation to allow for proper air circulation.

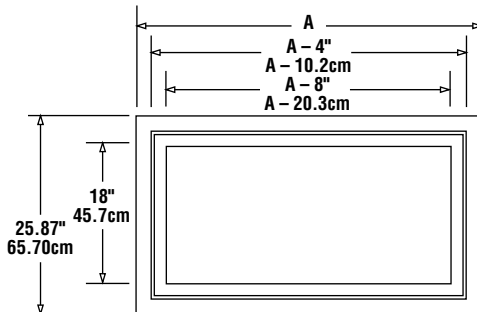


Model N8259

Optional Accessories and Modifications

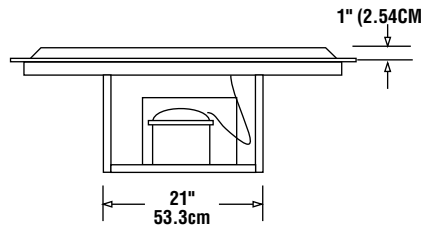
- Single or double service flip-up sneezeguards
- Relocate compressor
- *220V/50 cycle electrical system

*Inclusion of this option will alter electrical specifications of the unit.



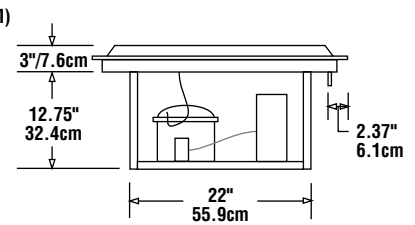
NOTE: NOT TO SCALE

PLAN VIEW
N8200 MODELS



NOTE: NOT TO SCALE

ELEVATION VIEW
N8200 MODELS



NOTE: NOT TO SCALE

RIGHT END VIEW
N8200 MODELS

Mechanical Data—Standard Unit



MODEL NUMBER	A	COUNTER CUTOUT DIMENSIONS	VOLTS/HERTZ/ PHASE	H.P.	AMPS	SHIP WEIGHT
N8231	31.75" (80.6cm)	31.00" x 25" (78.1cm x 63.5cm)	115/60/1	1/4	7.0	170 lbs/ 77 kg
N8245	45.62" (115.9cm)	44.63" x 25" (113.3cm x 63.5cm)	115/60/1	1/4	7.0	185 lbs/ 83 kg
N8259	59.5" (151.1cm)	58.50" x 25" (148.59cm x 63.5cm)	115/60/1	1/4	7.0	213 lbs/ 96 kg
N8273	73.37" (186.4m)	72.38" x 25" (183.84cm x 63.5cm)	115/60/1	1/3	8.0	218 lbs/ 98 kg
N8287	87.25" (221.6cm)	86.25" x 25" (219.07cm x 63.5cm)	115/60/1	1/3	8.0	224 lbs/ 101 kg