

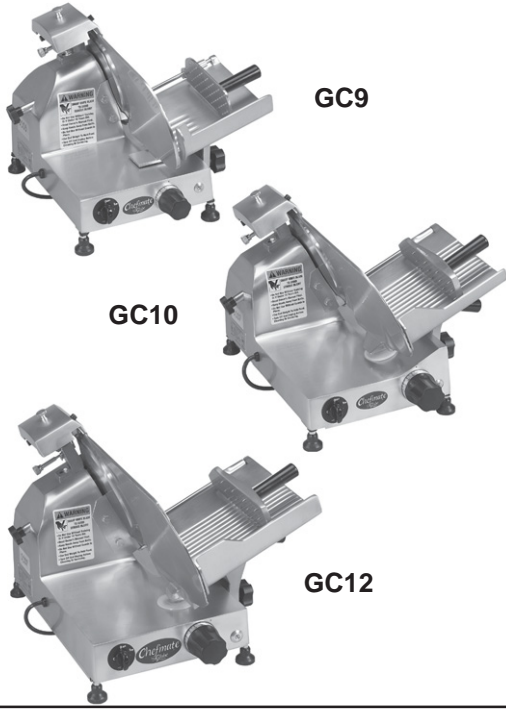
Project _____

Item # _____

Quantity _____



GLOBE FOOD EQUIPMENT COMPANY



GC9, GC10, GC12 Compact Manual Slicers

Chefmate Models

- GC9 - 9" Compact Manual Slicer
- GC10 - 10" Compact Manual Slicer
- GC12 - 12" Compact Manual Slicer



Compact Manual Slicers

GC9, GC10, GC12

Standard Features

- Belt driven
- GC9: 1/4 HP, 4 amps
- GC10: 1/3 HP, 5 amps
- GC12: 1/3 HP, 5 amps
- Top mounted all metal knife sharpener
- Hard chromed, hollow ground knife
- Anodized aluminum construction
- Metal plate protects underside
- One way fit of knife cover ensures accurate placement
- Easy to remove slice deflector
- 6 foot cord and plug

Standard Warranty

- 1 year parts and labor

Approved By: _____

Date: _____



GLOBE FOOD EQUIPMENT COMPANY
www.globeslicers.com

2268 N. Moraine Dr.
 Dayton, OH 45439
 Phone: 937-299-5493
 Phone: 800-347-5423
 Fax: 937-299-4147



Compact Manual Slicers

GC9, GC10, GC12

Specifications

Finish: Heavy gauge anodized aluminum that is stain resistant, long lasting, and easy to clean.

Motor: Fan cooled, permanently lubricated ball bearings ensure quiet operation.

GC9: 1/4 HP, 115-60-1, 4 amps
GC10: 1/3 HP, 115-60-1, 5 amps
GC12: 1/3 HP, 115-60-1, 5 amps

Knife Drive: Knife is driven by a positive grooved belt that works well in light to medium duty applications.

Slice Thickness:
GC9: 0 to 7/16" (11mm)
GC10: 0 to 5/8" (16mm)
GC12: 0 to 5/8" (16mm)

Top Mounted Sharpener: Sharpener is made of all metal. A two stone, dual action design allows you to quickly return a razor sharp edge to your knife.

Hollow Ground Knife: Hard chromed, hollow ground blade lasts longer and sharpens easier.
GC9: Nominal 9" diameter
GC10: Nominal 10" diameter
GC12: Nominal 12" diameter

Knife Cover: The knife cover is designed to fit on the slicer only one way to ensure accurate placement everytime.

Capacity:
GC9: 4"H x 7 1/2"W or 6" Dia. (10.2cm x 19cm or 15.2cm)
GC10: 5 1/2"H x 9"W or 7" Dia. (14cm x 22.9cm or 17.8cm)
GC12: 6"H x 9 3/4"W or 8" Dia. (15.2cm x 24.8cm or 20.3cm)

Knife Hub: Knife hub bearings, belt, and motor are fully enclosed protecting them from food and other debris.

Table Rod: Separate table support rod is protected by the table casting and cover.

Underside: Components are covered by a metal plate protecting them from food and other debris.

Slice Deflector: Heavy duty deflector is securely fastened to the slicer, yet is still easy to remove without tools.

Cord & Plug: Attached 6 foot flexible 3 wire cord and plug fits a grounded receptacle.

Dimensions: (GC9)
Overall Length = 18" (46cm)
Overall Width = 15" (38cm)
Overall Height = 15" (38cm)
Freight Class: 77.5
Net Weight: 25 lbs. (11kgs.)
Shipping Weight: 38 lbs. (17kgs.)
Box Dimensions:
21"W x 18"D x 17"H
(53cm W x 46cm D x 43cm H)

Dimensions: (GC10)
Overall Length = 19" (48cm)
Overall Width = 17" (43cm)
Overall Height = 15" (38cm)
Freight Class: 77.5
Net Weight: 42 lbs. (19kgs.)
Shipping Weight: 50 lbs. (23kgs.)
Box Dimensions:
24"W x 22"D x 18"H
(61cm W x 56cm D x 46cm H)

Dimensions: (GC12)
Overall Length = 20" (51cm)
Overall Width = 18" (46cm)
Overall Height = 17" (43cm)
Freight Class: 77.5
Net Weight: 50 lbs. (23kgs.)
Shipping Weight: 60 lbs. (27kgs.)
Box Dimensions:
28"W x 23"D x 19"H
(71cm W x 58cm D x 48cm H)



GLOBE FOOD EQUIPMENT COMPANY
www.globeslicers.com

2268 N. Moraine Dr.
Dayton, OH 45439
Phone: 937-299-5493
Phone: 800-347-5423
Fax: 937-299-4147

Printed in U.S.A. 11-2004

Specifications are subject to change without notice.